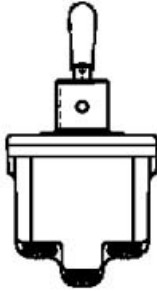




4NT1-1



NT Series Toggle Switch, 4 pole, 3 position, Screw terminal, Standard Lever

Actual product appearance may vary.

Features

- Completely sealed switching chamber
- NEMA 3, 3R, 4, and 13
- UL recognized, File E12252, Vol. 1, Section 44
- CSA certified, File LR4442
- CE approved

Potential Applications

- Aerial lifts, scissor lifts, truck mounted tele-handlers, and cranes
- Construction equipment
- Agriculture equipment
- Material-handling equipment
- Factory-floor control units
- Machine tool equipment manufacturers

Description

MICRO SWITCH™ NT Series toggle switches meet the need for a rugged, cost-effective toggle switch. Quality construction features include a seal between the toggle lever and bushing, and between the cover and case. These switches can be used where panels are subject to splashes, hosedowns, or outdoor environments. The "Easy-Start" threaded bushing enables quick alignment of mounting nut to decrease the chance of cross threading. The panel stand-off with O-ring feature available on some listings, eliminates the need for behind-the-panel hardware, provides uniform panel height, and provides a panel to cover seal.

Product Specifications

| | |
|----------------------------------------------------|----------------------------------------------------------------------------------------------------------------------------------------------------------------------------------------------------------------------------------------------------------------------------------------------------------------------------------------------------------------------|
| Circuitry/ Operating action | <div style="display: flex; justify-content: space-around;"> <div style="text-align: center;"> <p>Keyway Position</p> <p>ON</p> </div> <div style="text-align: center;"> <p>Center Position</p> <p>OFF</p> </div> <div style="text-align: center;"> <p>Opposite Keyway Position</p> <p>ON</p> </div> </div> |
| Product Type | MICRO SWITCH™ Toggle Switch |
| Ampere/ Voltage Range (Resistive Load) | 0.5 A at 250 Vdc, 0.5 A to 15 A at 0.5 Vac to 277 Vac, 0.75 A at 115 Vdc, 0.5 A to 20 A at 0.5 Vdc to 28 Vdc |
| Circuitry | 4PDT |
| Action | 3 position |
| Mounting | Bushing 15/32 in |
| Termination | Screw |
| Lever Type | Standard |
| UL/CSA Rating Code | L191: 15 A-125, 250, 277 Vac; 1/2 Hp-125 Vac; 1 Hp- 250, 277 Vac; 5 A-120 Vac "L" |
| Comment | Switches are capable of withstanding a temperature of 160 degrees F continuously at full rated load |
| Availability | Global |
| UNSPSC Code | 30211908 |
| UNSPSC Commodity | 30211908 Toggle switches |
| Series Name | NT |

SWITCH - TOGGLE

4NT1 SERIES CHART 1

CATALOG LISTING

THIS DRAWING COVERS A PROPRIETARY ITEM AND IS THE PROPERTY OF MICRO SWITCH. A DIVISION OF HONEYWELL. THIS DRAWING IS NOT TO BE COPIED OR USED WITHOUT THE APPROVAL OF MICRO SWITCH

CATALOG LISTING
4NT1 SERIES CHART 1

PAGE 1 OF 1

REPLACES

RELEASE NO. PR-19436

CHECK

ISSUE 5

REVISIONS

A CO-94361
DCS
29 NOV 99

B 203550
WJC
7 AUG 01

CHECK KDS

3 APR 91

CHECK DAW

3 APR 91

CHECK

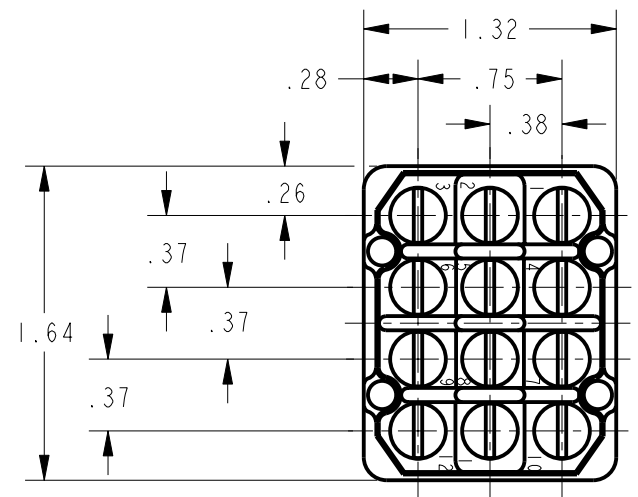
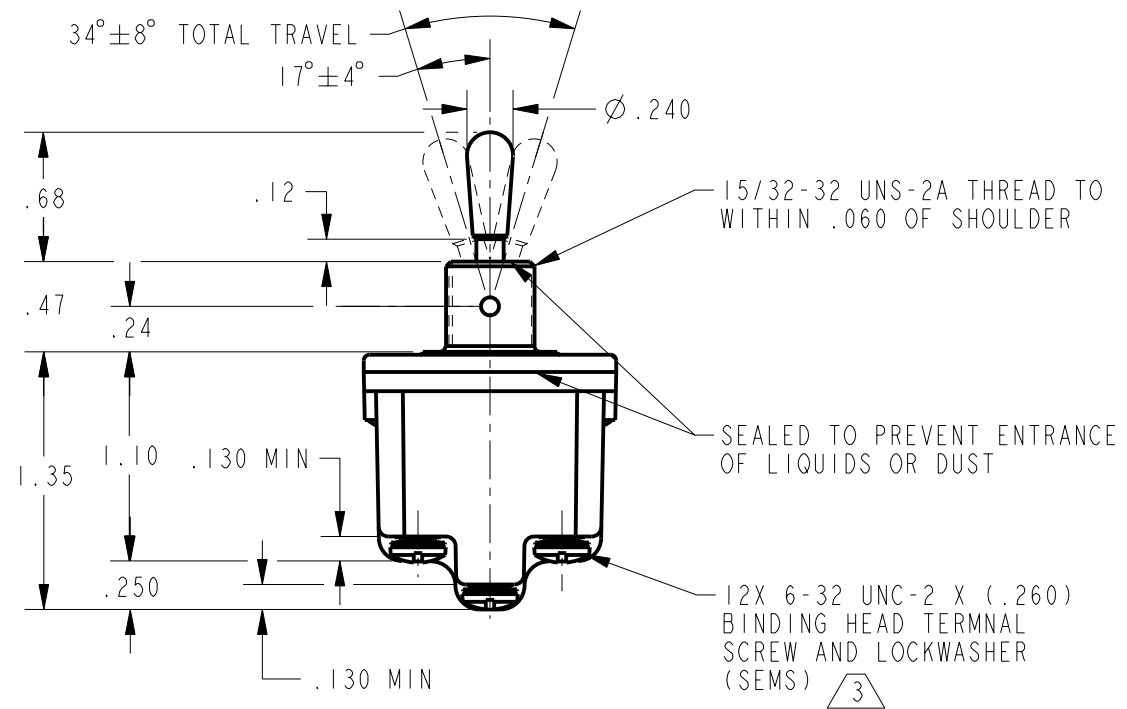
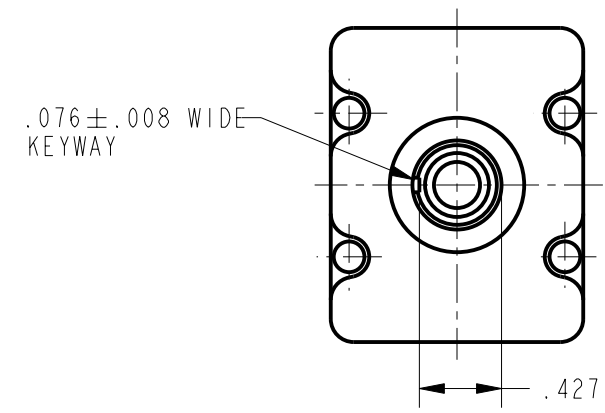
1 APR 91

DRAWN

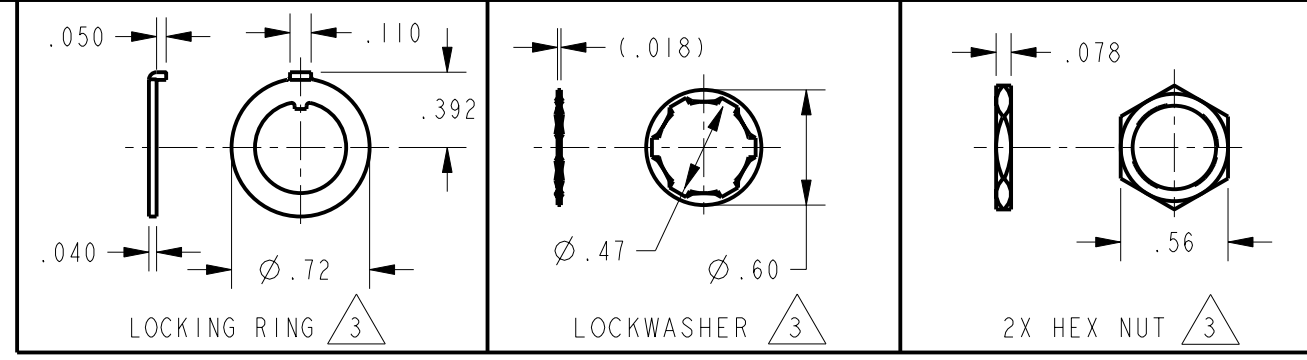
PTC/CAD 2D

MAM

ANSI Y14.5M-1982 APPLIES



| CATALOG LISTING | CIRCUIT MADE WITH TOGGLE LEVER IN | | | ELECTRICAL DATA |
|-----------------|------------------------------------|-------------------------------|----------------------------------------|-------------------------------------------------------------------------------------|
| | KEYWAY SIDE (1-2, 4-5, 7-8, 10-11) | CENTER (1-2, 4-5, 7-8, 10-11) | OPPOSITE KEYWAY (2-3, 5-6, 8-9, 11-12) | |
| 4NT1-1 | ON | OFF | ON | L191 15A 125, 250, 277 VAC 1/2HP 125 VAC 1HP 250, 277 VAC 5A 125 VAC "L" |
| 4NT1-2 | OFF | NONE | ON | |
| 4NT1-3 | ON | NONE | ON | |
| (B) | NONE | OFF | ON | L192 10A 125, 250, 277 VAC 1/4HP 125 VAC 1/2HP 250, 277 VAC 3A 125 VAC "L" |
| (B) | NONE | ON | ON | |
| (B) | MOM OFF | NONE | ON | |
| 4NT1-5 | MOM ON | OFF | ON | |
| 4NT1-6 | MOM ON | NONE | OFF | |
| 4NT1-7 | MOM ON | OFF | MOM ON | |
| 4NT1-8 | MOM ON | NONE | ON | |
| (B) | NONE | ON | MOM ON | |
| 4NT1-6I | MOM ON | OFF | NONE | |



- NOTES
- 1 - SWITCHES ARE CAPABLE OF WITHSTANDING A TEMPERATURE OF 160°F CONTINUOUSLY AT FULL RATED LOAD
 - 2 - MICRO SWITCH CATALOG LISTING MARKED ON SIDE OF SWITCH
 - FURNISHED UNASSEMBLED
 - APPLIES ONLY TO "ON" AND "MOM ON" POSITIONS

THIRD ANGLE PROJECTION

SCALE FULL

DO NOT SCALE PRINT

UNLESS OTHERWISE SPECIFIED TOLERANCES ARE

| | | |
|-------------|--------|-------|
| ONE PLACE | (.0) | ±.030 |
| TWO PLACE | (.00) | ±.015 |
| THREE PLACE | (.000) | ±.005 |
| ANGLES | | ± |

WEIGHT